

# Green New Material Co.,Ltd

## Green WPC ( wood plastic composite) New Material ?

Our Wood Plastic Composite is made from recycled wood/bamboo fiber , plastic(PE,PVC) and chemical additive, which looks and feels like natural timber, but require none of the maintenance of traditional timber. They do not need to paint or stain as they have already come in with a range of colors and will remain for years of usage.

Due to the main feature as high degree of UV stability, highly resistant to extreme weather and high resistant to moisture and termites, our products will not crack, rot and warp for years, which would save you from extra maintenance and labor cost. And we are easier to get material like lumber ,plastic and our good location can also save our cost which means our price and quality are competitive .



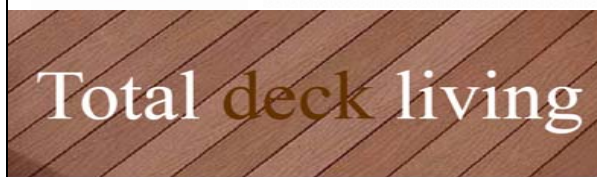
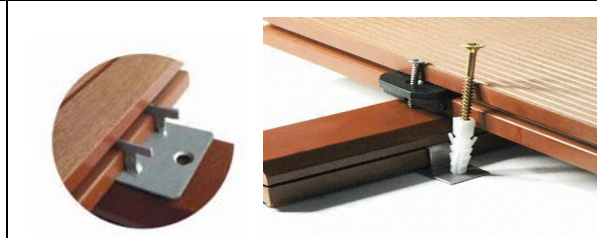
Comfortable for bare foot walking

## Green® WPC ( wood plastic composite) Decking floors

**Instruction : (Weather resistant, suitable from minus - 40 to 60 centigrade degree)**

- 1.Fire-proof / Termites, insects ,water-resistance (salt water) / easy to install / long life use
- 2.Barefoot friendly / anti-slip / less cracking / less warping
- 3.Requires no painting / no glue/ low maintenance
4. with the look of the natural wood, but less timber problems ,save forest resources

**Summarize :WPC decking can be widely used in outside, park ,riverside, roadside , and so on .it's good material take over natural wood .**

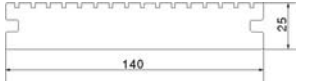
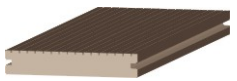
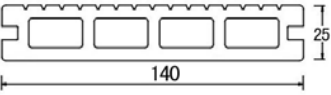

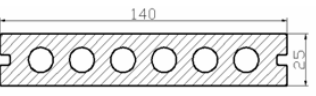

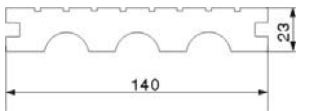

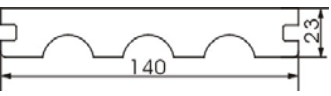

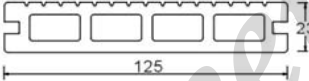



	specification	Sample design	Sample	kg/m (theory)	Application

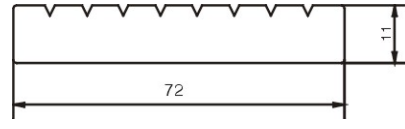

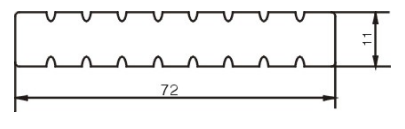

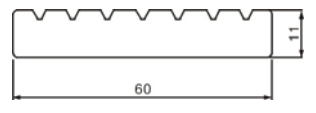

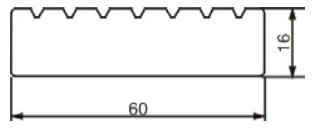




## Green New Material Co.,Ltd

1	<b>GW150×25K</b>			2.8	<b>Outdoor deck</b>
2	<b>GW150×25K (A)</b>			2.8	<b>Outdoor deck</b>
3	<b>GW100×25K (B)</b>			2.8	<b>Outdoor deck</b>
4	<b>GW146×31K</b>			3.1	<b>Outdoor deck</b>
5	<b>GW146×31K (A)</b>			3.05	<b>Outdoor deck</b>
6	<b>GW140×25S</b>			4.40	<b>Outdoor deck</b>

## Green New Material Co.,Ltd

7	<b>GW140×25S (A)</b>			4.40	<b>Outdoor deck</b>
8	<b>GW140×25K</b>			2.6	<b>Outdoor deck</b>
9	<b>GW140×25 (C)</b>			3.3	<b>Outdoor deck</b>
9	<b>GW140×23S</b>			3.3	<b>Outdoor deck</b>
10	<b>GW140×23S (A)</b>			3.4	<b>Outdoor deck</b>
11	<b>GW125×23K</b>			2.3	<b>Outdoor deck</b>

## Green New Material Co.,Ltd

12	<b>GW72×11S</b>			1.2	<b>DIY Deck, Fence and so on</b>
13	<b>GW72×11S(A)</b>			1.2	<b>DIY Deck, Fence and so on</b>
14	<b>GW60×11S</b>			0.8	<b>Dustbin, Fence, Deck</b>
15	<b>GW60×16S</b>			1.2	<b>Dustbin, Fence, Deck</b>
<b>Green® WPC (wood plastic composite) Girders for decking</b>					
1	<b>GW57×32S</b>			2.4	<b>Garden Bench or Girder</b>

## Green New Material Co.,Ltd

2	<b>GW90×40S</b>			4.5	<b>Bench or Girder</b>
3	<b>GW40×30S</b>			1.6	<b>Outdoor deck Girder</b>
4	<b>GW40×24S</b>				<b>Outdoor deck Girder</b>
<b>Green® WPC (wood plastic composite) decking parts</b>					
1	<b>GW40×60</b>			0.7	<b>Decking Side cover</b>
2	<b>Screw</b>				<b>Various size of stainless steel nials</b>
3	<b>Plastic parts</b>			ABS or PP	<b>Decking end cap</b>

## Green New Material Co.,Ltd

					<b>Decking connection</b>	
4	<b>Steel parts</b>			Stainless Steel	<b>Decking connection</b>	
						
						
		<b>WG(wood grain)</b>	<b>DP(Dull Pouch)</b>	<b>TN (Thin Tooth)</b>	<b>MM (Medium Tooth)</b>	<b>TK(Thick tooth)</b>

## Green New Material Co.,Ltd



### Green WPC®

Performance	wood	Steel	Green WPC
Price	Higher	Higher	Economy Stability
Appearance	Natural	Incoordination	Artistic
Workability	Easy	Difficult	Easy
Weather resistant	Bad	Worse	Better
Expansion&contraction	Small	Large	Smaller
Acid & alkali resistant	Bad	Bad	Good
Maintenance cost	More	More	Less
Recycle	No	Limited	100%

### Summary

WPC are new and rapidly evolving products. WPC offer a number of advantages, including flexibility of production and the use of recycled material to create a recyclable product and have many advantages compared with natural wood and steel or treated wood. Despite the wide array of possible finished forms, the manufacture of WPC is relatively simple and uniform. WPC have become well-established building materials, especially for residential decking, and are likely to be used for a wider array of applications in the future.

Green New Material all staffs welcome you to inquiry and establish long business . [casio@china-wpc-product.com](mailto:casio@china-wpc-product.com)